

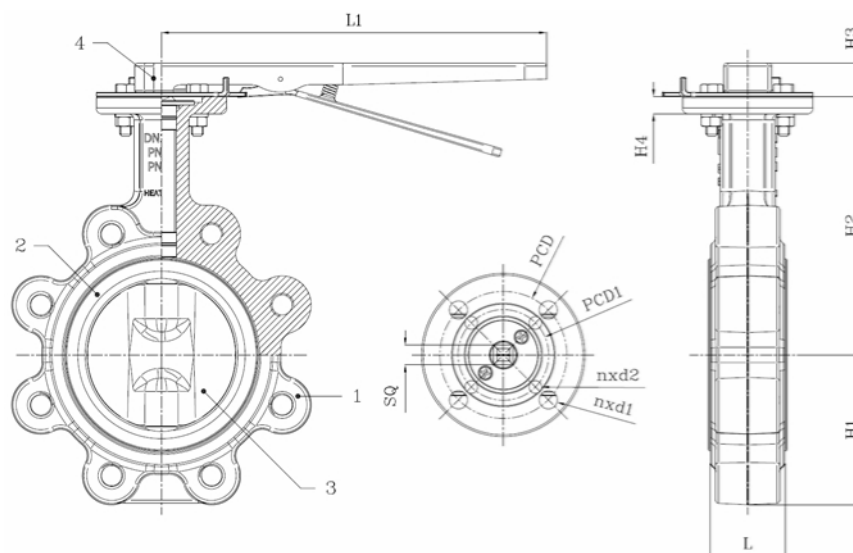
BV12-2466E-PN10/PN16 - Lever

Lug type butterfly valve, mounting between flanges PN10/PN16, with lever

Face to Face Standard: EN 558-1 Table 1 series 20



Item Number	Belven Ref
121026E1040	BV12-2466E-PN16-DN040 - LEVER
121026E1050	BV12-2466E-PN16-DN050 - LEVER
121026E1065	BV12-2466E-PN16-DN065 - LEVER
121026E1080	BV12-2466E-PN16-DN080 - LEVER
121026E1100	BV12-2466E-PN16-DN100 - LEVER
121026E1125	BV12-2466E-PN16-DN125 - LEVER
121026E1150	BV12-2466E-PN16-DN150 - LEVER



DN/Size	H1	H2	H3	H4	L	L1	SQ	ISO	PCD	PCD1	n x d1	n x d2	Press.Cl.	Weight(kg)
DN40 (1 1/2")	68	111	22		33	165							PN16	2.50
DN50 (2")	71,4	142,7	22	12	43	266	11	F05/F07	70	50	4 x d10	4 x d7	PN16	4.00
DN65 (2 1/2")	77,8	155,4	22	12	46	266	11	F05/F07	70	50	4 x d10	4 x d7	PN16	4.60
DN80 (3")	89	161,8	22	12	46	266	11	F05/F07	70	50	4 x d10	4 x d7	PN16	5.30
DN100 (4")	102	178	22	12	52	266	14	F07	70		4 x d10		PN16	7.80
DN125 (5")	123	190,5	22	12	56	266	14	F07	70		4 x d10		PN16	9.70
DN150 (6")	138	205,2	22	12	56	266	14	F07	70		4 x d10		PN16	11.50

Item 1	Item 2	Item 3	Item 4
Body Material	Seat Material	Disc Material	Actuator Material
Ductile iron : GGG40 + Epoxy coating	EPDM	Stainless steel : CF8M	Maellable iron

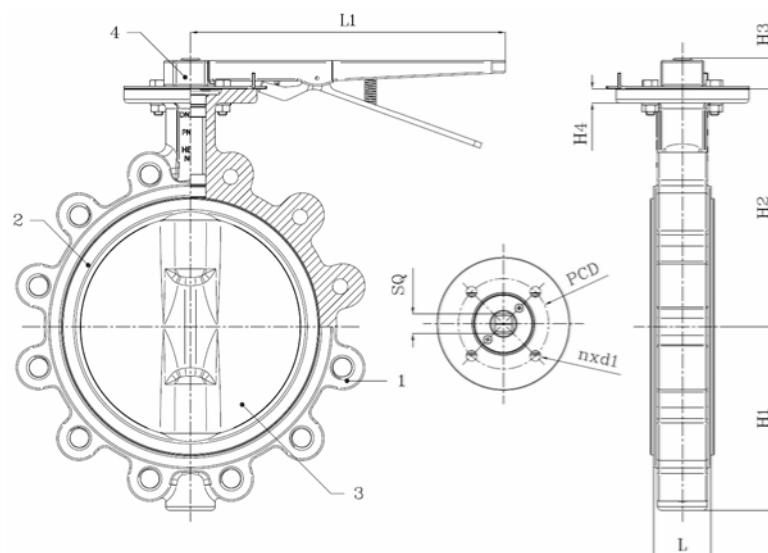
BV12-2466E-PN10 - Lever

Lug type butterfly valve, mounting between flanges PN10, with lever

Face to Face Standard: EN 558-1 Table 1 series 20



Item Number	Belven Ref
121026E1200	BV12-2466E-PN10-DN200 - LEVER
121026E1250	BV12-2466E-PN10-DN250 - LEVER
121026E1300	BV12-2466E-PN10-DN300 - LEVER



DN/Size	H1	H2	H3	H4	L	L1	SQ	ISO	PCD	n x d1	Press.Cl.	Weight(kg)
DN200 (8")	168	237	34,5	16	60	356	17	F10	102	4 x d12	PN10	18.00
DN250 (10")	207	268,3	34,5	16	68	356	22	F10	102	4 x d12	PN10	31.50
DN300 (12")	243,5	308,5	34,5	16	78	356	27	F12	125	4 x d14	PN10	46.50

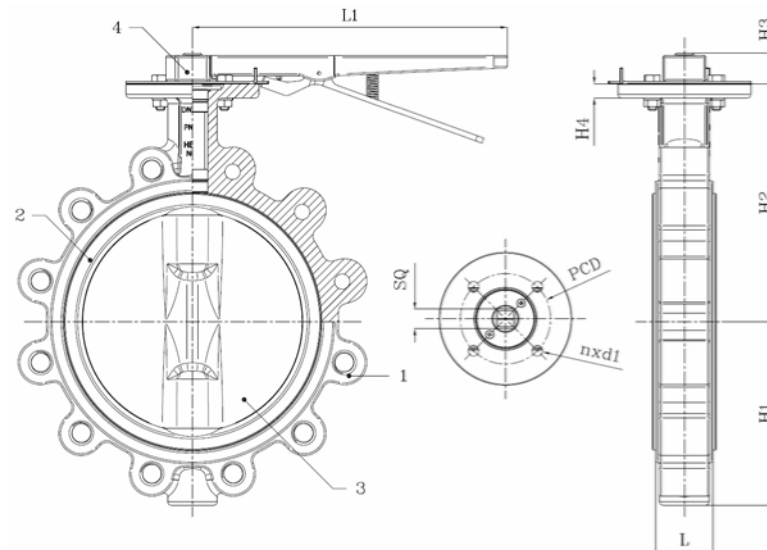
Item 1	Item 2	Item 3	Item 4
Body Material	Seat Material	Disc Material	Actuator Material
Ductile iron : GGG40 + Epoxy coating	EPDM	Stainless steel : CF8M	Maellable iron

BV12-2466E-PN16 - Lever

Lug type butterfly valve, mounting between flanges PN16, with lever
Face to Face Standard: EN 558-1 Table 1 series 20



Item Number	Belven Ref
121126E1200	BV12-2466E-PN16-DN200 - LEVER
121126E1250	BV12-2466E-PN16-DN250 - LEVER
121126E1300	BV12-2466E-PN16-DN300 - LEVER



DN/Size	H1	H2	H3	H4	L	L1	SQ	ISO	PCD	n x d1	Press.Cl.	Weight(kg)
DN200 (8")	168	237	34,5	16	60	356	17	F10	102	4 x d12	PN16	18.00
DN250 (10")	207	268,3	34,5	16	68	356	22	F10	102	4 x d12	PN16	31.50
DN300 (12")	243,5	308,5	34,5	16	78	356	27	F12	125	4 x d14	PN16	46.50

Item 1	Item 2	Item 3	Item 4
<i>Body Material</i>	<i>Seat Material</i>	<i>Disc Material</i>	<i>Actuator Material</i>
Ductile iron : GGG40 + Epoxy coating	EPDM	Stainless steel : CF8M	Maellable iron

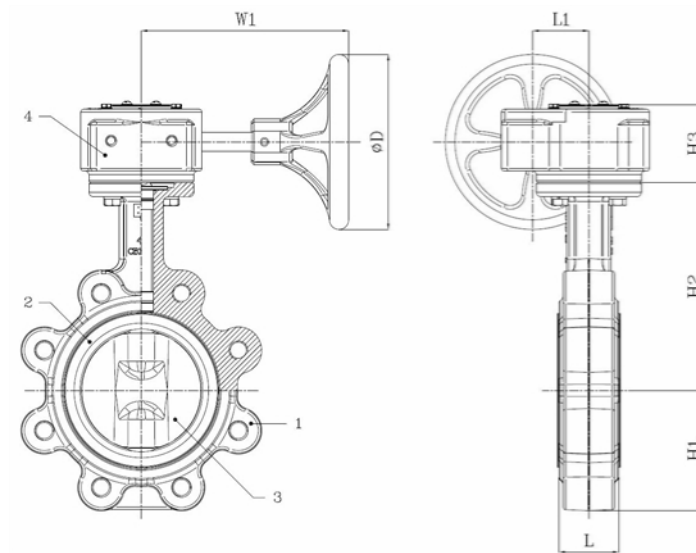
BV12-2466E-PN10/PN16 - Gearbox

Lug type butterfly valve, mounting between flanges PN10/PN16, with gearbox

Face to Face Standard: EN 558-1 Table 1 series 20



Item Number	Belven Ref
121026E3050	BV12-2466E-PN16-DN050 - GEARBOX
121026E3065	BV12-2466E-PN16-DN065 - GEARBOX
121026E3080	BV12-2466E-PN16-DN080 - GEARBOX
121026E3100	BV12-2466E-PN16-DN100 - GEARBOX
121026E3125	BV12-2466E-PN16-DN125 - GEARBOX
121026E3150	BV12-2466E-PN16-DN150 - GEARBOX



DN/Size	D	H1	H2	H3	L	L1	W1	Press.Cl.	Weight(kg)
DN50 (2")	150	71,4	142,7	56,5	43	45	173,5	PN16	6.90
DN65 (2 1/2")	150	77,8	155,4	56,5	46	45	173,5	PN16	7.50
DN80 (3")	150	89	161,8	56,5	46	45	173,5	PN16	8.20
DN100 (4")	150	102	178	56,5	52	45	170	PN16	11.60
DN125 (5")	150	123	190,5	56,5	56	45	170	PN16	13.60
DN150 (6")	150	138	205,2	56,5	56	45	170	PN16	15.30

Item 1	Item 2	Item 3	Item 4
Body Material	Seat Material	Disc Material	Actuator Material
Ductile iron : GGG40 + Epoxy coating	EPDM	Stainless steel : CF8M	Cast iron

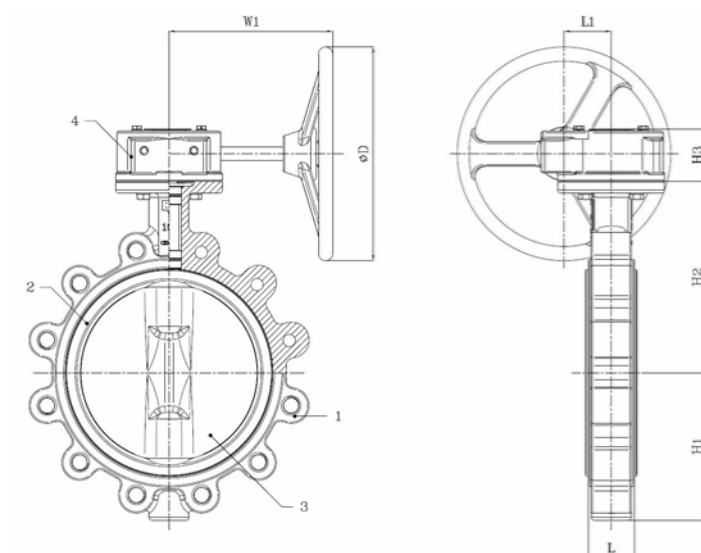
BV12-2466E-PN10 - Gearbox

Lug type butterfly valve, mounting between flanges PN10, with gearbox

Face to Face Standard: EN 558-1 Table 1 series 20



Item Number	Belven Ref
121026E3200	BV12-2466E-PN10-DN200 - GEARBOX
121026E3250	BV12-2466E-PN10-DN250 - GEARBOX
121026E3300	BV12-2466E-PN10-DN300 - GEARBOX



DN/Size	D	H1	H2	H3	L	L1	W1	Press.Cl.	Weight(kg)
DN200 (8")	300	168	237	80,5	60	63	237	PN10	26.50
DN250 (10")	300	207	268,3	80,5	68	63	237	PN10	36.50
DN300 (12")	300	243,5	308,5	80,5	78	78	225	PN10	67.00

Item 1	Item 2	Item 3	Item 4
<i>Body Material</i>	<i>Seat Material</i>	<i>Disc Material</i>	<i>Actuator Material</i>
Ductile iron : GGG40 + Epoxy coating	EPDM	Stainless steel : CF8M	Cast iron

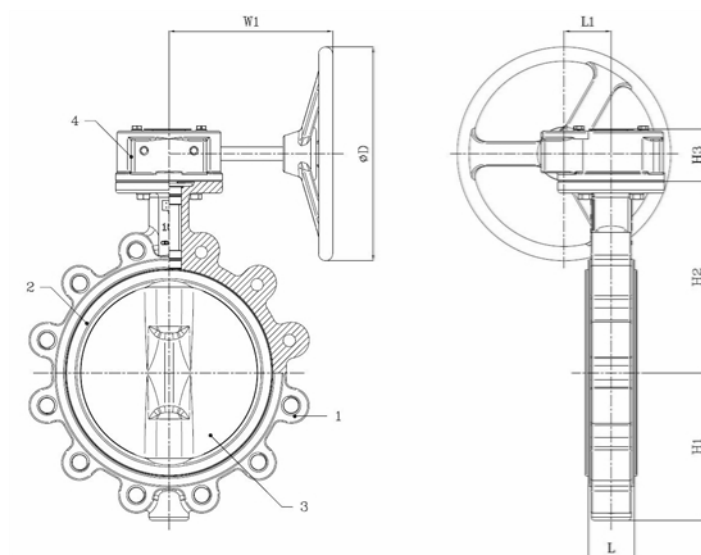
BV12-2466E-PN16 - Gearbox

Lug type butterfly valve, mounting between flanges PN16, with gearbox

Face to Face Standard: EN 558-1 Table 1 series 20



Item Number	Belven Ref
121126E3200	BV12-2466E-PN16-DN200 - GEARBOX
121126E3250	BV12-2466E-PN16-DN250 - GEARBOX
121126E3300	BV12-2466E-PN16-DN300 - GEARBOX



DN/Size	D	H1	H2	H3	L	L1	W1	Press.Cl.	Weight(kg)
DN200 (8")	300	168	237	80,5	60	63	237	PN16	27.00
DN250 (10")	300	207	268,3	80,5	68	63	237	PN16	36.00
DN300 (12")	300	243,5	308,5	80,5	78	78	225	PN16	67.00

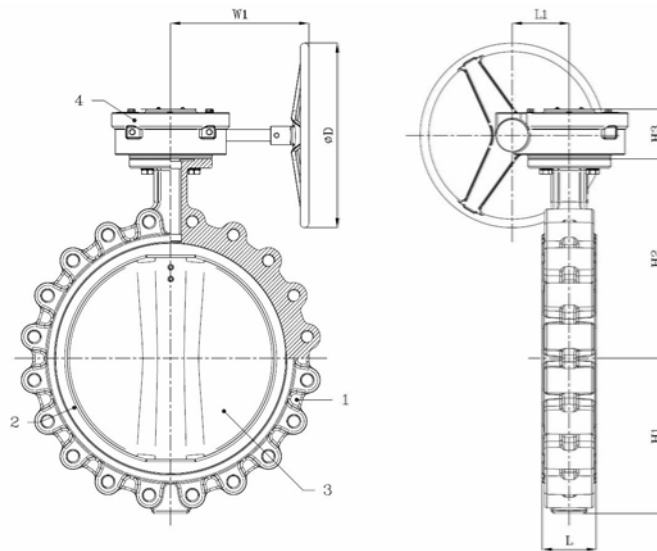
Item 1	Item 2	Item 3	Item 4
<i>Body Material</i>	<i>Seat Material</i>	<i>Disc Material</i>	<i>Actuator Material</i>
Ductile iron : GGG40 + Epoxy coating	EPDM	Stainless steel : CF8M	Cast iron

BV12-2466E-PN10 - Gearbox

Lug type butterfly valve, mounting between flanges PN10, with gearbox
Face to Face Standard: EN 558-1 Table 1 series 20



Item Number	Belven Ref
121026E3350	BV12-2466E-PN10-DN350 - GEARBOX
121026E3400	BV12-2466E-PN10-DN400 - GEARBOX
121026E3450	BV12-2466E-PN10-DN450 - GEARBOX
121026E3500	BV12-2466E-PN10-DN500 - GEARBOX
121026E3600	BV12-2466E-PN10-DN600 - GEARBOX



DN/Size	D	H1	H2	H3	H4	L	L1	W1	Press.Cl.	Weight(kg)
DN350 (14")	300	259	368	82	20	78	80,5	224	PN10	74.00
DN400 (16")	390	309	400	105,5	20	102	120,5	292	PN10	112.00
DN450 (18")	390	327	422	105,5	20	114	120,5	292	PN10	142.50
DN500 (20")	390	361	480	147	22	127	121,5	349	PN10	208.00
DN600 (24")	390	459	562	147	22	154	121,5	337	PN10	280.00

Item 1	Item 2	Item 3	Item 4
Body Material	Seat Material	Disc Material	Actuator Material
Ductile iron : GGG40 + Epoxy coating	EPDM	Stainless steel : CF8M	Cast iron

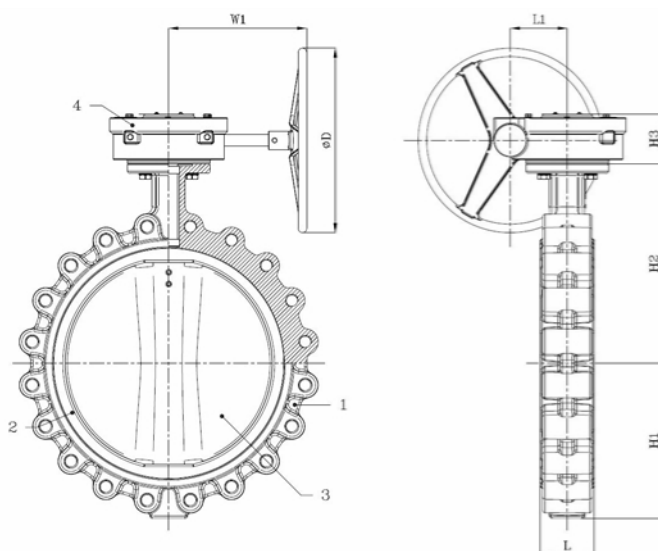
BV12-2466E-PN16 - Gearbox

Lug type butterfly valve, mounting between flanges PN16, with gearbox

Face to Face Standard: EN 558-1 Table 1 series 20



Item Number	Belven Ref
121126E3350	BV12-2466E-PN16-DN350 - GEARBOX
121126E3400	BV12-2466E-PN16-DN400 - GEARBOX
121126E3450	BV12-2466E-PN16-DN450 - GEARBOX
121126E3500	BV12-2466E-PN16-DN500 - GEARBOX
121126E3600	BV12-2466E-PN16-DN600 - GEARBOX



DN/Size	D	H1	H2	H3	H4	L	L1	W1	Press.Cl.	Weight(kg)
DN350 (14")	300	259	368	82	20	78	80,5	224	PN16	75.50
DN400 (16")	390	309	400	105,5	20	102	120,5	292	PN16	113.00
DN450 (18")	390	327	422	105,5	20	114	120,5	292	PN16	144.00
DN500 (20")	390	361	480	147	22	127	121,5	349	PN16	200.00
DN600 (24")	390	459	562	147	22	154	121,5	337	PN16	284.00

Item 1	Item 2	Item 3	Item 4
Body Material	Seat Material	Disc Material	Actuator Material
Ductile iron : GGG40 + Epoxy coating	EPDM	Stainless steel : CF8M	Cast iron

BV12-2466E-PN10/PN16 - Double Acting

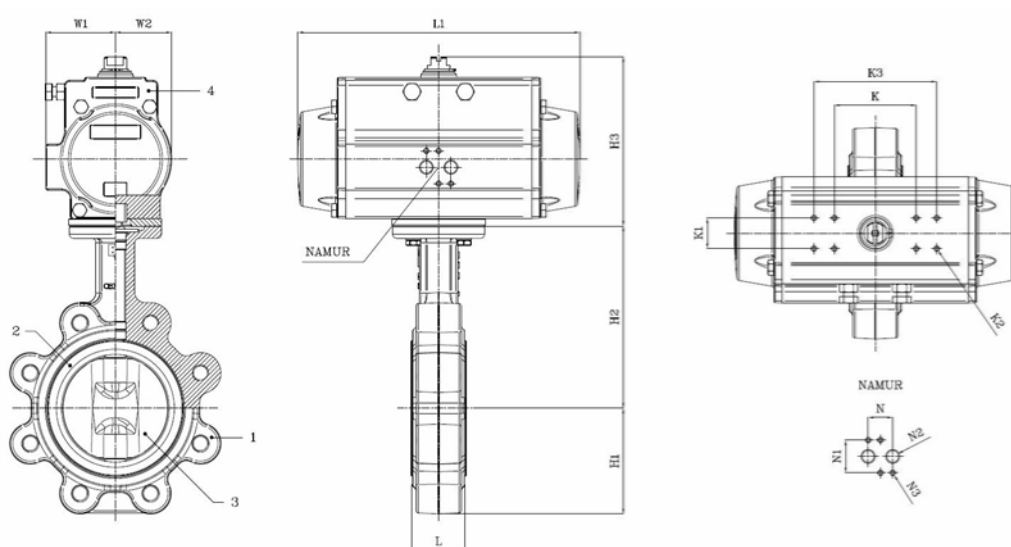
Lug type butterfly valve, mounting between flanges PN10/PN16, with double acting actuator

Face to Face Standard: EN 558-1 Table 1 series 20

The actuator is selected for 20°C water with a pressure drop of 6 bar with 6 bar supply air pressure and minimum 1 cycle per week



Item Number	Belven Ref
121026EDA20050	BV12-2466E-PN16-DN050 - DA052
121026EDA20065	BV12-2466E-PN16-DN065 - DA052
121026EDA20080	BV12-2466E-PN16-DN080 - DA063
121026EDA20100	BV12-2466E-PN16-DN100 - DA075
121026EDA20125	BV12-2466E-PN16-DN125 - DA075
121026EDA20150	BV12-2466E-PN16-DN150 - DA100



DN/Size	H1	H2	H3	H4	K	K1	K2	L	L1	N	N1	W1	W2	N2	N3	Press.Cl.	Weight(kg)
DN50 (2")	71,4	142,7	113,5	20	80	30	M5	43	141	24	32	41	30	1/8"	M5	PN16	4.60
DN65 (2 1/2")	77,8	155,4	113,5	20	80	30	M5	46	141	24	32	41	30	1/8"	M5	PN16	5.40
DN80 (3")	89	161,8	125	20	80	30	M5	46	164	24	32	45	35,5	1/8"	M5	PN16	6.70
DN100 (4")	102	178	137	20	80	30	M5	52	210	24	32	52,5	42	1/8"	M5	PN16	10.80
DN125 (5")	123	190,5	137	20	80	30	M5	56	210	24	32	52,5	42	1/8"	M5	PN16	12.70
DN150 (6")	138	205,2	164,8	20	80	30	M5	56	275	24	32	68	55	1/4"	M5	PN16	16.60

Item 1	Item 2	Item 3	Item 4
Body Material	Seat Material	Disc Material	Actuator Material
Ductile iron : GGG40 + Epoxy coating	EPDM	Stainless steel : CF8M	Extruded aluminium

BV12-2466E-PN10 - Double Acting

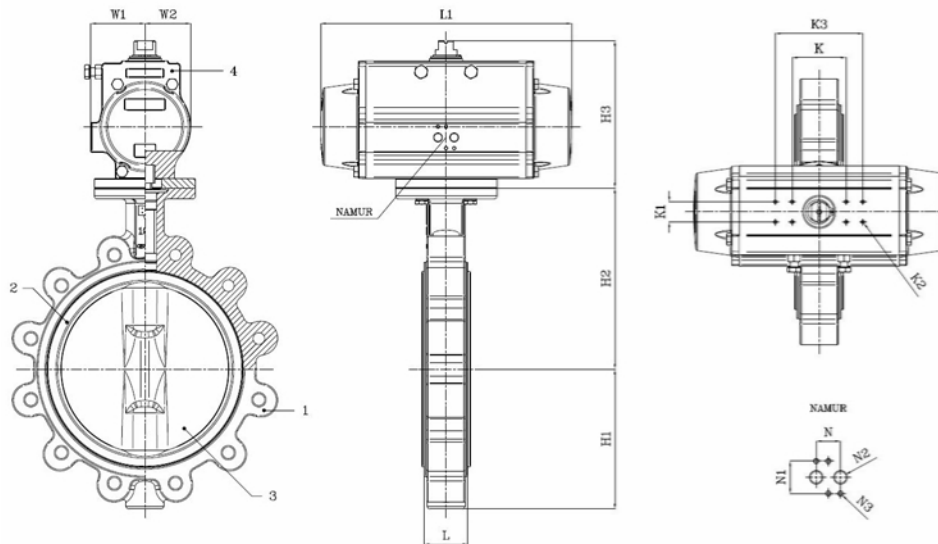
Lug type butterfly valve, mounting between flanges PN10, with double acting actuator

Face to Face Standard: EN 558-1 Table 1 series 20

The actuator is selected for 20°C water with a pressure drop of 6 bar with 6 bar supply air pressure and minimum 1 cycle per week



Item Number	Belven Ref
121026EDA20200	BV12-2466E-PN10-DN200 - DA115
121026EDA20250	BV12-2466E-PN10-DN250 - DA125
121026EDA20300	BV12-2466E-PN10-DN300 - DA140



DN/Size	H1	H2	H3	H4	K	K1	K2	K3	L	L1	N	N1	W1	W2	N2	N3	Press.Cl.	Weight(kg)
DN200 (8")	168	237	205,9	30	80	30	M5	130	60	333	24	32	73	64	1/4"	M5	PN10	24.70
DN250 (10")	207	268,3	209,4	30	80	30	M5	130	68	372	24	32	80	68	1/4"	M5	PN10	40.80
DN300 (12")	243,5	308,5	232	30	80	30	M5	130	78	435	24	32	87,5	76,5	1/4"	M5	PN10	60.60

Item 1	Item 2	Item 3	Item 4
Body Material	Seat Material	Disc Material	Actuator Material
Ductile iron : GGG40 + Epoxy coating	EPDM	Stainless steel : CF8M	Extruded aluminium

BV12-2466E-PN10 - Double Acting

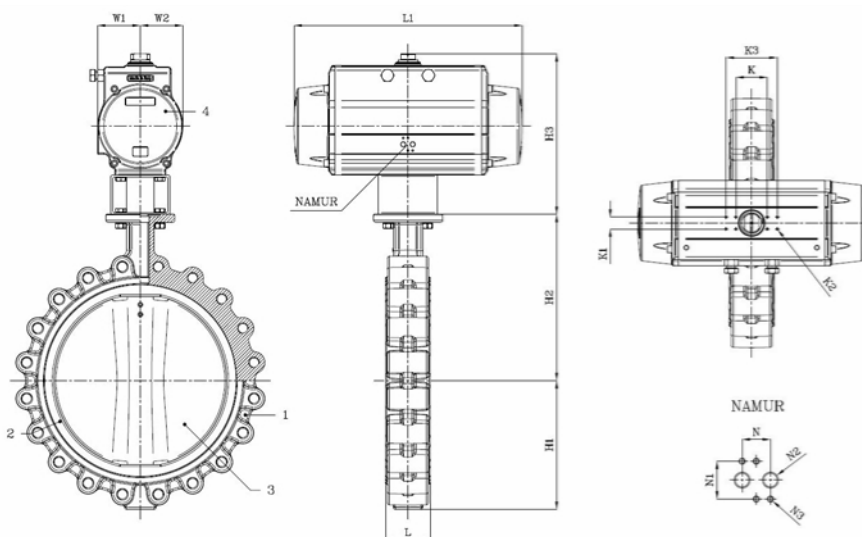
Lug type butterfly valve, mounting between flanges PN10, with double acting actuator

Face to Face Standard: EN 558-1 Table 1 series 20

The actuator is selected for 20°C water with a pressure drop of 6 bar with 6 bar supply air pressure and minimum 1 cycle per week



Item Number	Belven Ref
121026EDA20350	BV12-2466E-PN10-DN350 - DA160
121026EDA20400	BV12-2466E-PN10-DN400 - DA180
121026EDA20450	BV12-2466E-PN10-DN450 - DA200
121026EDA20500	BV12-2466E-PN10-DN500 - DA230
121026EDA20600	BV12-2466E-PN10-DN600 - DA230



DN/Size	H1	H2	H3	H4	K	K1	K2	K3	L	L1	N	N1	W1	W2	N2	N3	Press.Cl.	Weight(kg)
DN350 (14")	259	368	331	30	80	30	M5	130	78	500	24	32	99	87	1/4"	M5	PN10	89.10
DN400 (16")	309	400	383	30	80	30	M5	130	102	493	24	32	115	98	1/4"	M5	PN10	121.70
DN450 (18")	327	422	408	30	80	30	M5	130	114	578,5	24	32	109	108	1/4"	M5	PN10	168.40
DN500 (20")	361	480	475	30	80	30	M5	130	127	690	24	32	124,5	124	1/4"	M5	PN10	230.70
DN600 (24")	459	562	475	30	80	30	M5	130	154	690	24	32	124,5	124	1/4"	M5	PN10	302.20

Item 1	Item 2	Item 3	Item 4
Body Material	Seat Material	Disc Material	Actuator Material
Ductile iron : GGG40 + Epoxy coating	EPDM	Stainless steel : CF8M	Extruded aluminium

BV12-2466E-PN10/16 - Single Acting (AFC)

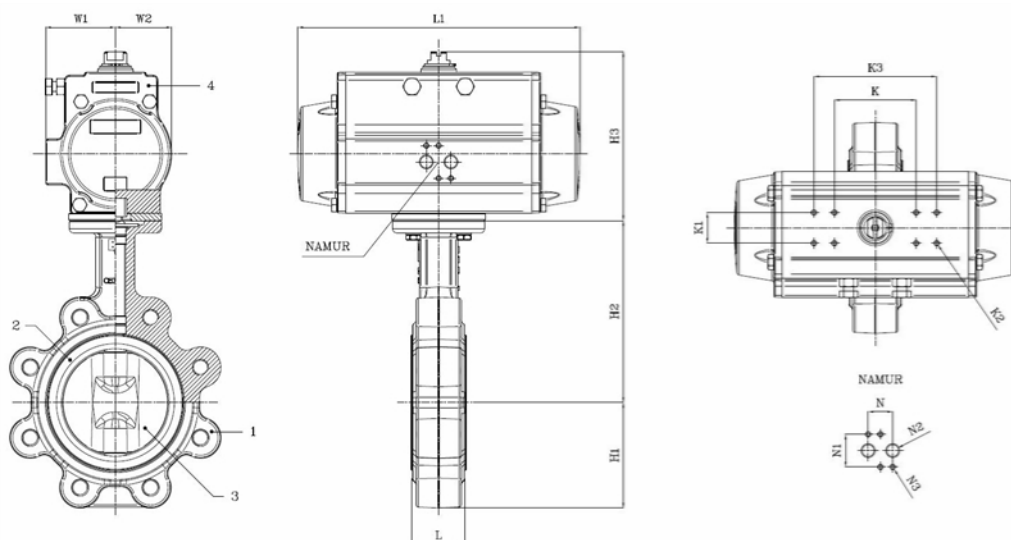
Lug type butterfly valve, mounting between flanges PN10/PN16, with spring return actuator AFC

Face to Face Standard: EN 558-1 Table 1 series 20

The actuator is selected for 20°C water with a pressure drop of 6 bar with 6 bar supply air pressure and minimum 1 cycle per week, at air pressure failure the springs will put the valve in closed position



Item Number	Belven Ref
121026ESR20050	BV12-2466E-PN16-DN050 - SR075
121026ESR20065	BV12-2466E-PN16-DN065 - SR075
121026ESR20080	BV12-2466E-PN16-DN080 - SR085
121026ESR20100	BV12-2466E-PN16-DN100 - SR100
121026ESR20125	BV12-2466E-PN16-DN125 - SR115
121026ESR20150	BV12-2466E-PN16-DN150 - SR125



DN/Size	H1	H2	H3	H4	K	K1	K2	K3	L	L1	N	N1	W1	W2	N2	N3	Press.Cl.	Weight(kg)
DN50 (2")	71,4	142,7	138,5	20	80	30	M5		43	210	24	32	52,5	42	1/8"	M5	PN16	7.70
DN65 (2 1/2")	77,8	155,4	138,5	20	80	30	M5		46	210	24	32	52,5	42	1/8"	M5	PN16	8.30
DN80 (3")	89	161,8	152,4	20	80	30	M5		46	240,5	24	32	58,5	47,5	1/8"	M5	PN16	10.40
DN100 (4")	102	178	165,2	20	80	30	M5		52	275	24	32	68	55	1/4"	M5	PN16	15.20
DN125 (5")	123	190,5	192,4	30	80	30	M5	130	56	333	24	32	73	64	1/4"	M5	PN16	21.50
DN150 (6")	138	205,2	204,4	30	80	30	M5	130	56	372	24	32	80	68	1/4"	M5	PN16	26.40

Item 1	Item 2	Item 3	Item 4
Body Material	Seat Material	Disc Material	Actuator Material
Ductile iron : GGG40 + Epoxy coating	EPDM	Stainless steel : CF8M	Extruded aluminium

BV12-2466E-PN10 - Single Acting (AFC)

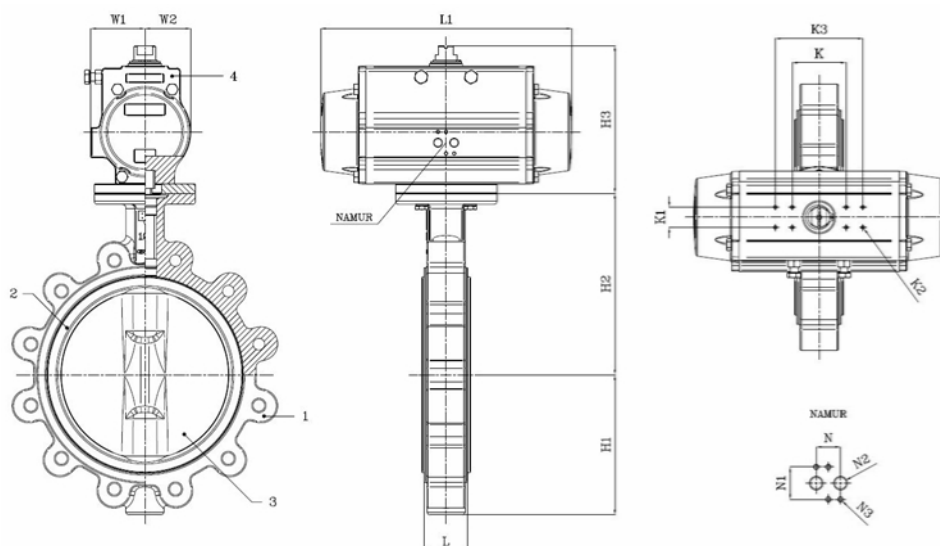
Lug type butterfly valve, mounting between flanges PN10, with spring return actuator AFC

Face to Face Standard: EN 558-1 Table 1 series 20

The actuator is selected for 20°C water with a pressure drop of 6 bar with 6 bar supply air pressure and minimum 1 cycle per week, at air pressure failure the springs will put the valve in closed position



Item Number	Belven Ref
121026ESR20200	BV12-2466E-PN10-DN200 - SR160
121026ESR20250	BV12-2466E-PN10-DN250 - SR180
121026ESR20300	BV12-2466E-PN10-DN300 - SR200



DN/Size	H1	H2	H3	H4	K	K1	K2	K3	L	L1	N	N1	W1	W2	N2	N3	Press.Cl.	Weight(kg)
DN200 (8")	168	237	256	30	80	30	M5	130	60	500	24	32	99	87	1/4"	M5	PN10	49.30
DN250 (10")	207	268,3	363	30	80	30	M5	130	68	493	24	32	115	98	1/4"	M5	PN10	74.90
DN300 (12")	243,5	308,5	408	30	80	30	M5	130	78	578,5	24	32	109	108	1/4"	M5	PN10	103.60

Item 1	Item 2	Item 3	Item 4
Body Material	Seat Material	Disc Material	Actuator Material
Ductile iron : GGG40 + Epoxy coating	EPDM	Stainless steel : CF8M	Extruded aluminium

BV12-2466E-PN10 - Single Acting (AFC)

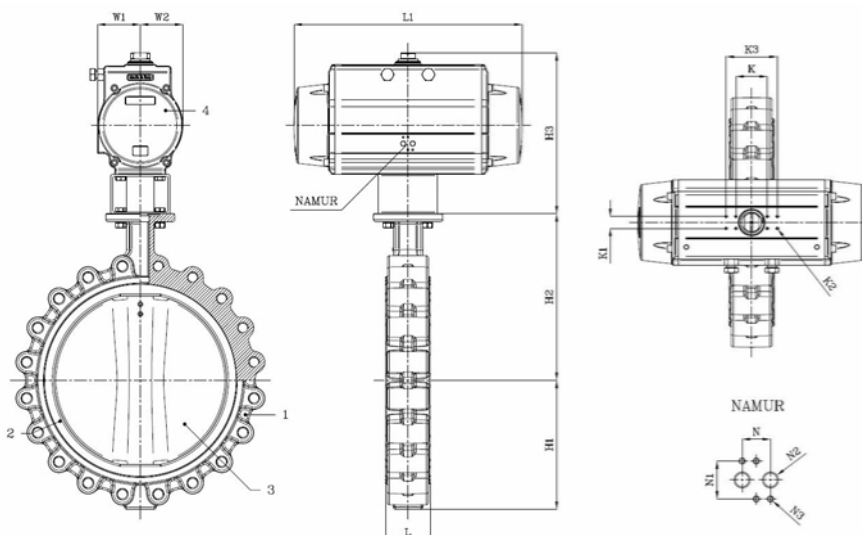
Lug type butterfly valve, mounting between flanges PN10, with spring return actuator AFC

Face to Face Standard: EN 558-1 Table 1 series 20

The actuator is selected for 20°C water with a pressure drop of 6 bar with 6 bar supply air pressure and minimum 1 cycle per week, at air pressure failure the springs will put the valve in closed position



Item Number	Belven Ref
121026ESR20350	BV12-2466E-PN10-DN350 - SR230
121026ESR20400	BV12-2466E-PN10-DN400 - SR230
121026ESR20450	BV12-2466E-PN10-DN450 - SR270
121026ESR20500	BV12-2466E-PN10-DN500 - SR330
121026ESR20600	BV12-2466E-PN10-DN600 - SR330



DN/Size	H1	H2	H3	H4	K	K1	K2	K3	L	L1	N	N1	W1	W2	N2	N3	Press.Cl.	Weight(kg)
DN350 (14")	259	368	475	30	80	30	M5	130	78	690	24	32	124,5	124	1/4"	M5	PN10	140.10
DN400 (16")	309	400	475	30	80	30	M5	130	102	690	24	32	124,5	124	1/4"	M5	PN10	172.90
DN450 (18")	327	422	548	30	80	30	M5	130	114	672	32	24	145	145	1/4"	M5	PN10	235.10
DN500 (20")	361	480	675	30	130	30	M5		127	881	45	40	201	201	1/2"	M6	PN10	382.20
DN600 (24")	459	562	675	30	130	30	M5		154	881	45	40	201	201	1/2"	M6	PN10	453.70

Item 1	Item 2	Item 3	Item 4
Body Material	Seat Material	Disc Material	Actuator Material
Ductile iron : GGG40 + Epoxy coating	EPDM	Stainless steel : CF8M	Extruded aluminium

BV12-2466E-PN10/PN16 - Electric 110/240V AC

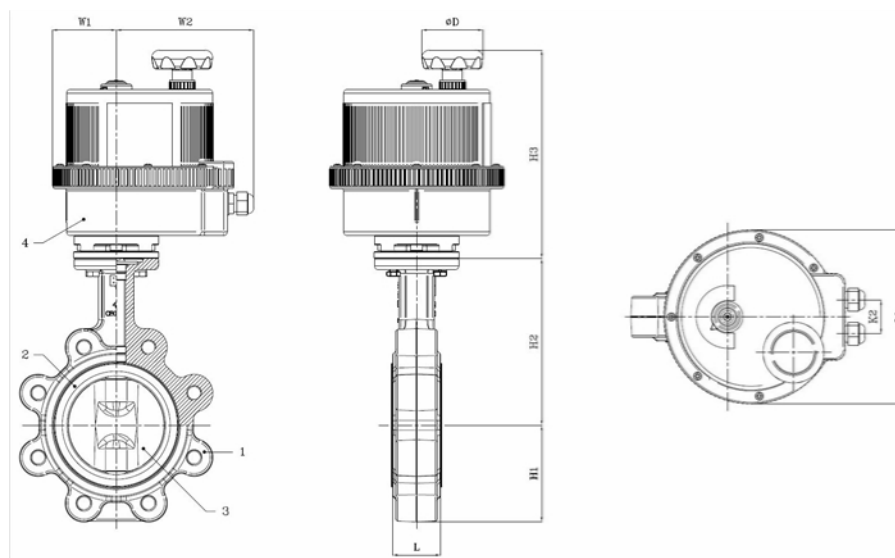
Lug type butterfly valve, mounting between flanges PN10/PN16, with electric actuator

Face to Face Standard: EN 558-1 Table 1 series 20

The actuator is selected for 20°C water with a pressure drop of 6 bar and minimum 1 cycle per week - 110/240V AC



Item Number	Belven Ref
121026EXVV0050	BV12-2466E-PN16-DN050 - VB030 110/240VAC
121026EXVV0065	BV12-2466E-PN16-DN065 - VB030 110/240VAC
121026EXVV0080	BV12-2466E-PN16-DN080 - VB060 110/240VAC
121026EXVV0100	BV12-2466E-PN16-DN100 - VB060 110/240VAC
121026EXVV0125	BV12-2466E-PN16-DN125 - VB110 110/240VAC
121026EXVV0150	BV12-2466E-PN16-DN150 - VB190 110/240VAC



DN/Size	D	H1	H2	H3	K2	L	L1	W1	W2	Press.Cl.	Weight(kg)
DN50 (2")	65	71,4	142,7	200	36	43	157	60,5	129,5	PN16	5.90
DN65 (2 1/2")	65	77,8	155,4	200	36	46	157	60,5	129,5	PN16	6.50
DN80 (3")	65	89	161,8	227	36	46	185	67,5	146,5	PN16	8.20
DN100 (4")	65	102	178	221	36	52	185	67,5	146,5	PN16	10.70
DN125 (5")	110	123	190,5	232,1	40	56	211	84	153	PN16	13.90
DN150 (6")	110	138	205,2	232,1	40	56	211	84	153	PN16	15.70

Item 1	Item 2	Item 3	Item 4
Body Material	Seat Material	Disc Material	Actuator Material
Ductile iron : GGG40 + Epoxy coating	EPDM	Stainless steel : CF8M	Self-extinguishing polymer

BV12-2466E-PN10 - Electric 110/240V AC

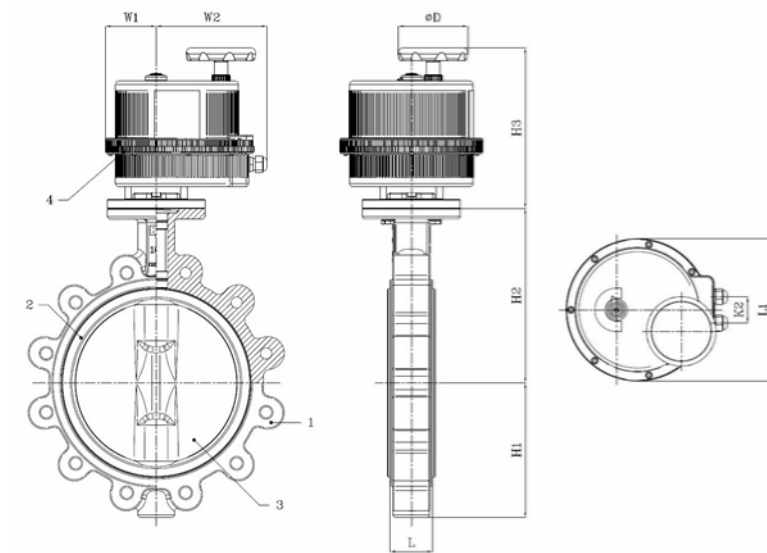
Lug type butterfly valve, mounting between flanges PN10, with electric actuator

Face to Face Standard: EN 558-1 Table 1 series 20

The actuator is selected for 20°C water with a pressure drop of 6 bar and minimum 1 cycle per week - 110/240V AC



Item Number	Belven Ref
121026EXVV0200	BV12-2466E-PN16-DN200 - VB270 110/240VAC
121026EXVV0250	BV12-2466E-PN16-DN250 - VB350 110/240VAC



DN/Size	D	H1	H2	H3	K2	L	L1	W1	W2	Press.Cl.	Weight(kg)
DN200 (8")	110	168	237	247	40	60	222	77	170	PN10	23.70
DN250 (10")	110	207	268,3	247	40	68	222	77	170	PN10	37.30

Item 1	Item 2	Item 3	Item 4
<i>Body Material</i>	<i>Seat Material</i>	<i>Disc Material</i>	<i>Actuator Material</i>
Ductile iron : GGG40 + Epoxy coating	EPDM	Stainless steel : CF8M	Self-extinguishing polymer

BV12-2466E-PN16 - Electric 110/240V AC

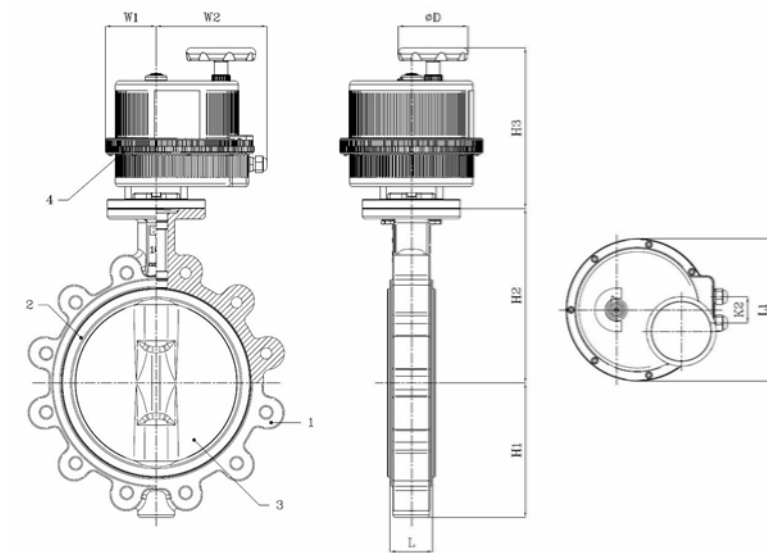
Lug type butterfly valve, mounting between flanges PN16, with electric actuator

Face to Face Standard: EN 558-1 Table 1 series 20

The actuator is selected for 20°C water with a pressure drop of 6 bar and minimum 1 cycle per week - 110/240V AC



Item Number	Belven Ref
121126EXVVO200	BV12-2466E-PN16-DN200 - VB270 110/240VAC
121126EXVVO250	BV12-2466E-PN16-DN250 - VB350 110/240VAC



DN/Size	D	H1	H2	H3	K2	L	L1	W1	W2	Press.Cl.	Weight(kg)
DN200 (8")	110	168	237	247	40	60	222	77	170	PN16	23.70
DN250 (10")	110	207	268,3	247	40	68	222	77	170	PN16	37.30

Item 1	Item 2	Item 3	Item 4
<i>Body Material</i>	<i>Seat Material</i>	<i>Disc Material</i>	<i>Actuator Material</i>
Ductile iron : GGG40 + Epoxy coating	EPDM	Stainless steel : CF8M	Self-extinguishing polymer